

LM76 Double Flange Block Series

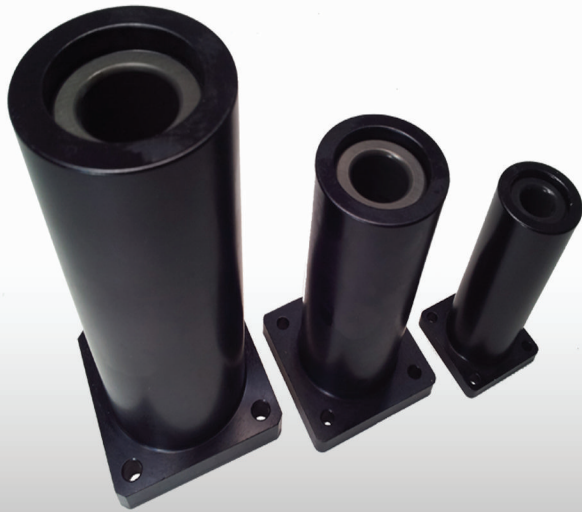
DOUBLE FLANGE BLOCK SERIES



DFB SL Bearings

Stocked in 1/2" - 3/4" and 1" sizes, DFB SL double length flange bearings offer industry leading Minuteman Self-Lubricating bearings. High loads, low friction, rapid oscillation, contamination, and all-weather compatibility make the DFB SL Series a solid choice when dry-running operation is a must. Compatible with 300 series (soft) stainless shafting.

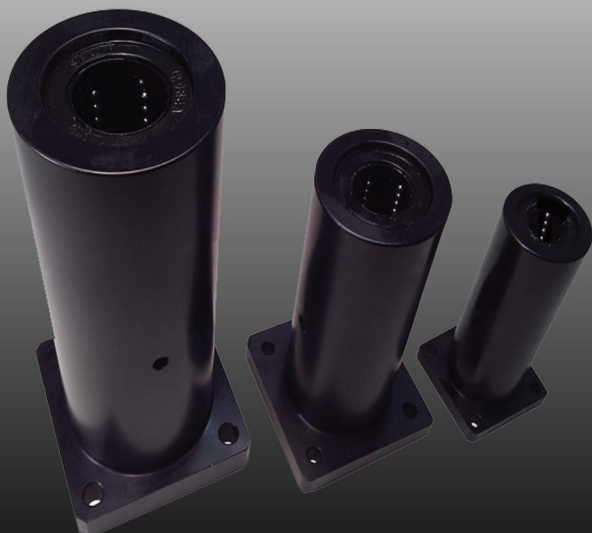
Requires NO LUBRICATION



DFB Bearings

Stocked in 1/2" - 3/4" and 1" sizes, DFB double length flange bearings offer industry famous Black Racer Ceramic Coated linear bearings. High loads, low friction, rapid oscillation, contamination, long life and ultra high speeds and acceleration make the DFB Series a solid choice. DFB bearings require case hardened shafting: Rc60, 440c.

NOTE: DFB Linear Bearings require lubrication



DFB BB Bearings

Stocked in 1/2" - 3/4" and 1" sizes, DFB BB double length flange bearings feature industry leading EZgo Linear Ball Bearings. Super low friction and self-aligning ability make the DFB BB Series a solid choice when low friction and compliance are required. DFB BB, self-aligning linear bearings require case hardened shafting: Rc60 or 440c.

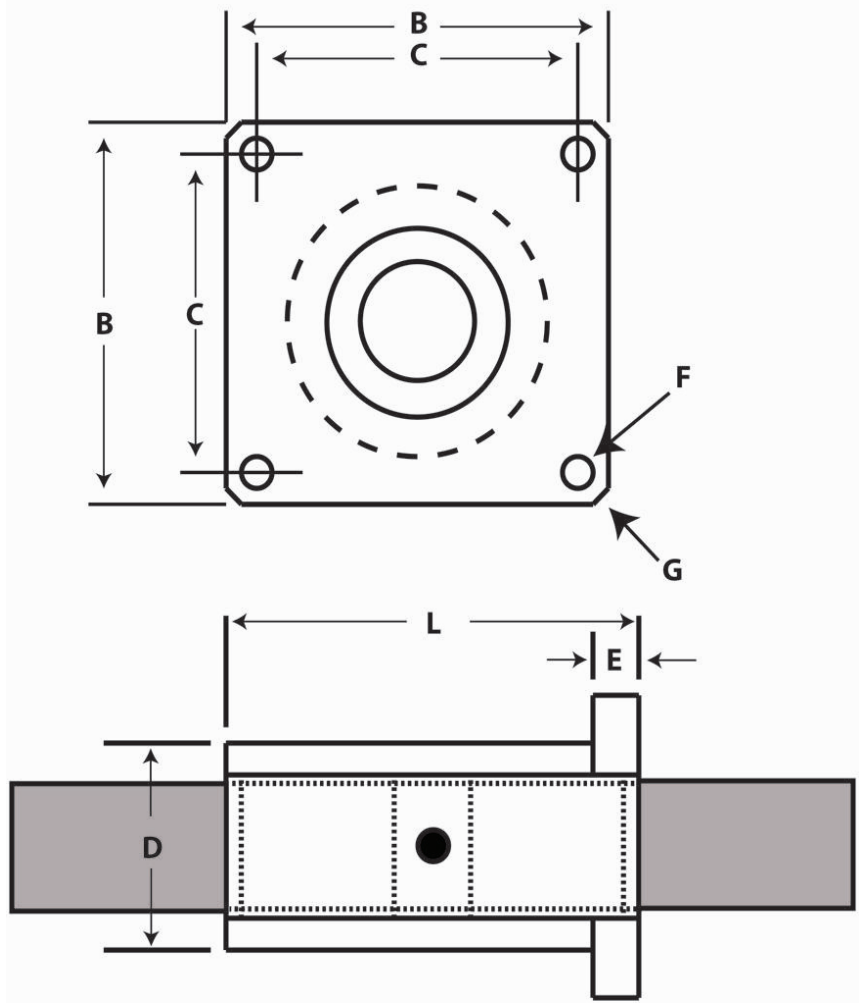
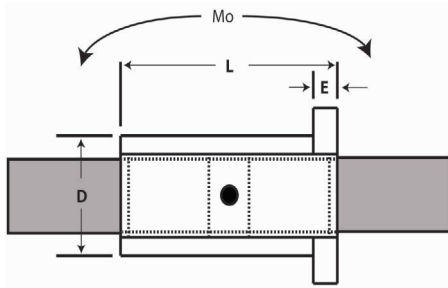
NOTE: DFB BB Linear Bearings require lubrication



SL



BB



| Part Number | | | | | | | | |
|-------------|------------|------|-------|-----------|------|-----|------|-------|
| Inch | Shaft Size | B | C | D | E | F | G | L |
| | Class L | | | Bolt Hole | | | | |
| *DFB 8 | 1/2" | 1.63 | 1.25 | 1.25 | .250 | #8 | .187 | 3.375 |
| DFB 12 | 3/4" | 2.38 | 1.75 | 1.75 | .375 | #10 | .219 | 4.188 |
| DFB 16 | 1" | 2.75 | 2.125 | 2.25 | .500 | 1/4 | .281 | 5.625 |

| Part Number | |
|-------------|-----------------|
| Self Lube | Max Static Lbs. |
| DFB 8 SL | 3950 |
| DFB 12 SL | 5890 |
| DFB 16 SL | 7625 |

| Part Number | |
|----------------|-----------------|
| Ceramic Coated | Max Static Lbs. |
| DFB 8 | 3950 |
| DFB 12 | 5890 |
| DFB 16 | 7625 |

| Part Number | | | Mo |
|----------------------|-----------|-----------|-------------------------|
| Linear Ball Bearings | Dynamic C | Static Co | Allowable Static Moment |
| | Lbs. | Lbs. | Lbs.Ft. |
| DFB 8 BB | 183 | 352 | 8.9 |
| DFB 12 BB | 308 | 615 | 19.5 |
| DFB 16 BB | 352 | 705 | 31 |

Please call our engineering staff with any questions.

* Part Number should include correct suffix: SL or BB. Example: DFB 8 SL
 Ceramic Coated Flange Blocks have no suffix. Example: DFB 16

1-800-513-3163

www.LM76.com