

SS TYPE (European Standard)

— Standard 440c Stainless —



part number structure

example **SS 25 G UU**

specification

SS : anti-corrosion

inner contact diameter (dr)

retainer material

blank : standard/steel

anti-corrosion/stainless steel

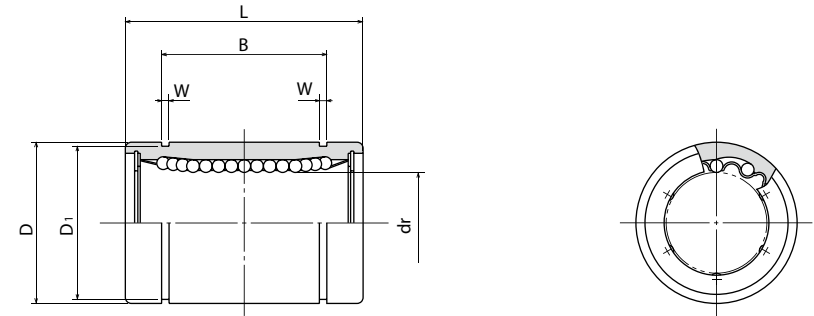
G : resin

seal

blank : without seal

U : seal on one side

UU : seals on both sides



440C Stainless		number of ball circuits	dr		major dimensions	
part number retainer	resin retainer		mm	tolerance μm	D	tolerance μm
SS 3	SS 3G	4	3	+ 8 0	7	0 - 8
SS 4	SS 4G	4	4		8	
SS 5	SS 5G	4	5		12	
SS 8	SS 8G	4	8		16	
SS10	SS10G	4	10		19	
SS12	SS12G	4	12	22	0 - 9	
SS16	SS16G	4	16	+ 9	26	0 -11
SS20	SS20G	5	20	- 1	32	
SS25	SS25G	6	25	+11	40	
SS30	SS30G	6	30	- 1	47	
SS40	SS40G	6	40	+13	62	
SS50	SS50G	6	50	- 2	75	-13
SS60	SS60G	6	60		90	0
—	—	6	80	+16/-4	120	-15

mm	L	mm	B	mm	mm	mm	D	eccentricity μm	radial clearance (maximum) μm	basic load rating		mass g	shaft diameter mm
	tolerance mm		tolerance mm							dynamic C N	static Co N		
10	0	—	—	—	—	—	—	10	- 3	69	105	1.4	3
12	-0.12	—	—	—	—	—	—	12		88	127	2	4
22	0	14.5	0	1.1	11.5	12	- 4	206		265	11	5	
25		16.5		1.1	15.2			265	402	22	8		
29		22		1.3	18			372	549	36	10		
32		-0.2		22.9	-0.2			1.3	21	510	784	45	12
36		24.9		1.3	24.9			578	892	60	16		
45	31.5	1.6	30.3	862	1,370	102	20						
58	44.1	1.85	37.5	980	1,570	235	25						
68	0	52.1	0	1.85	44.5	1,570	2,740	360	30				
80	-0.3	60.6	-0.3	2.15	59	2,160	4,020	770	40				
100	77.6	2.65	72	3,820	7,940	1,250	50						
125	0	101.7	0	3.15	86.5	4,700	9,800	2,220	60				
165	-0.4	133.7	-0.4	4.15	116	7,350	16,000	5,140	80				