

S - SS TYPE (Inch Standard)



part number structure

example **S or SS 16 G R UU - P**

specification
 S : standard
 SS : anti-corrosion

size

retainer material
 blank : standard/steel
 anti-corrosion/stainless steel
 G : resin

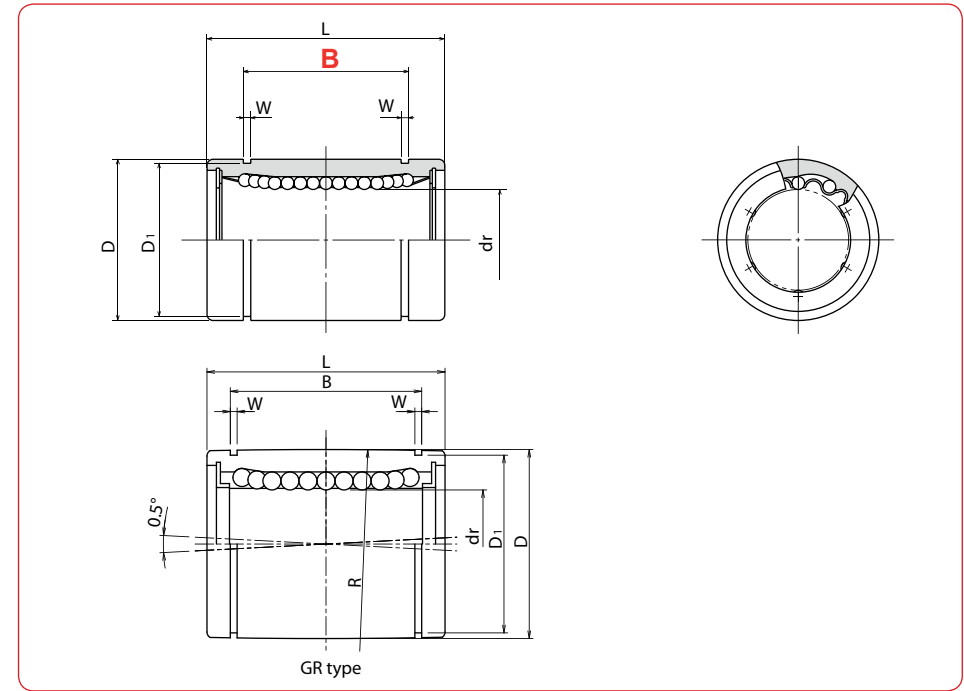
accuracy grade
 blank : high
 P : precision

seal
 blank : without seal
 U : seal on one side
 UU : seals on both sides

Seals are not available on SS2 and SS3.

self aligning
 blank : non self aligning
 R : self aligning

Self-aligning is available only with resin retainer for size 4 to 32 of carbon steel cylinder.



part number		number of ball circuits	major dimensions	
steel retainer	resin retainer		inch (mm)	tolerance inch/(μ m)
-	-	4	.1250 (3.175)	0 (-0.00035)
-	-	4	.1875 (4.763)	0 (-0.00040)
S6	S6G	4	.2500 (6.350)	0 (-0.00045)
S8	S8G	4	.3750 (9.525)	0 (-0.00050)
S10	S10G	4	.5000 (12.700)	0 (-0.00055)
S12	S12G	5	.7500 (19.050)	0 (-0.00065)
S16	S16G	6	1.0000 (25.400)	0 (-0.00075)
S20	S20G	6	1.2500 (31.750)	0 (-0.00085)
S24	S24G	6	1.5000 (38.100)	0 (-0.00095)
S32	S32G	6	2.0000 (50.800)	0 (-0.00110)
S40	-	6	2.5000 (63.500)	0 (-0.00125)
S48	-	6	3.0000 (76.200)	0 (-0.00140)
S64	-	6	4.0000 (101.600)	0 (-0.00175)

L		B		W	D1	eccentricity		radial clearance (maximum) inch/(μ m)	basic load rating		mass g	shaft diameter inch (mm)
inch (mm)	tolerance inch/(mm)	inch (mm)	tolerance inch/(mm)			precision inch/(μ m)	high inch/(μ m)		C N	Co N		
5000 (12.700)		.3681 (9.35)		.0280 (0.710)	.2902 (7.370)	-	.0003 (8)	-0.0001 (-2)	59	76	2.8 (3.175)	1/8
5625 (14.275)		.4311 (10.95)		.0280 (0.710)	.3520 (8.940)		.0003 (8)		91	110	3.6 (4.763)	3/16
7500 (19.050)	0 (-0.2)	.5110 (12.98)	0 (-0.2)	.0390 (0.992)	.4687 (11.906)		.0003 (8)	-0.0001 (-3)	206	265	9.5 (6.350)	1/4
8750 (22.225)		.6358 (16.15)		.0390 (0.992)	.5880 (14.935)		.0005 (12)		225	314	15 (9.525)	3/8
12500 (31.750)		.9625 (24.46)		.0459 (1.168)	.8209 (20.853)	.0003 (8)	.0005 (12)	-0.0001 (-4)	510	784	42 (12.700)	1/2
15000 (38.100)		1.1039 (28.57)		.0559 (1.422)	1.0590 (26.899)		.0005 (12)		774	1,180	85 (15.875)	5/8
16250 (41.275)		1.1657 (29.61)		.0559 (1.422)	1.1760 (29.870)	.0004 (10)	.0006 (15)	-0.0002 (-6)	862	1,370	104 (19.050)	3/4
17500 (44.500)		1.2500 (31.750)		.0679 (1.727)	1.4687 (37.306)		.0006 (15)		980	1,570	220 (25.400)	1
26250 (66.675)	0 (-0.3)	2.0047 (50.92)	0 (-0.3)	.0679 (1.727)	1.8859 (47.904)	.0005 (12)	.0008 (20)	-0.0003 (-8)	1,570	2,740	465 (76.200)	1-1/4
30000 (76.200)		2.4118 (61.26)		.0859 (2.184)	2.2389 (56.870)		.0008 (20)		2,180	4,020	720 (38.100)	1-1/2
40000 (101.600)		3.1917 (81.07)		.1029 (2.616)	2.8379 (72.085)		.0007 (17)	-0.0005 (-13)	3,820	7,940	1,310 (50.800)	2
50000 (127.000)		3.9760 (100.99)		.1200 (3.048)	3.5519 (90.220)	.0007 (17)	.0010 (25)		4,700	10,000	2,600 (63.500)	2-1/2
60000 (152.400)	0 (-0.4)	4.726 (120.04)	0 (-0.4)	.1200 (3.048)	4.3100 (109.474)		.0012 (30)	-0.0008 (-20)	7,350	16,000	4,380 (76.200)	3
80000 (203.200)		6.258 (158.95)		.1389 (3.530)	5.745 (145.923)	.0008 (20)	.0012 (30)		14,100	34,800	10,200 (101.600)	4