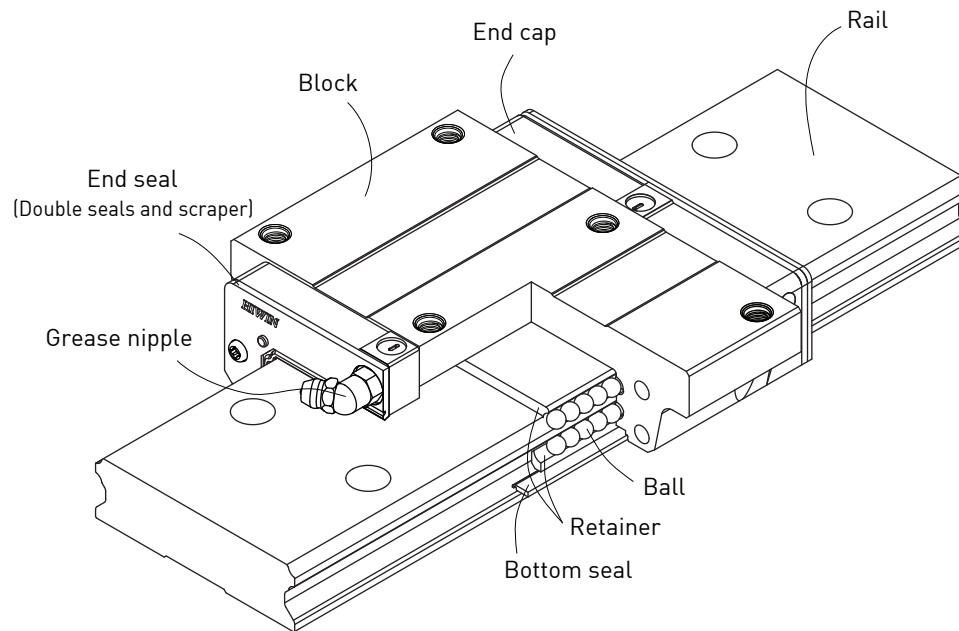


2-3 WE Type – Four-Row Wide Rail Linear Guideway

2-3-1 Construction

The WE series features equal load ratings in the radial, reverse radial and the lateral direction with contact points at 45 degrees. This along with the wide rail, allows the guide way to be rated for high loads, moments and rigidity. By design, it has a self-aligning capacity that can absorb most installation errors and can meet high accuracy standards. The ability to use a single rail and to have the low profile with a low center of gravity is ideal where space is limited and/or high moments are required.

2-3-2 Construction of WE Series



- Rolling circulation system: Block, rail, end cap and retainer
- Lubrication system: Grease nipple and piping Joint
- Dust protection system: End seal, bottom seal, cap and scraper

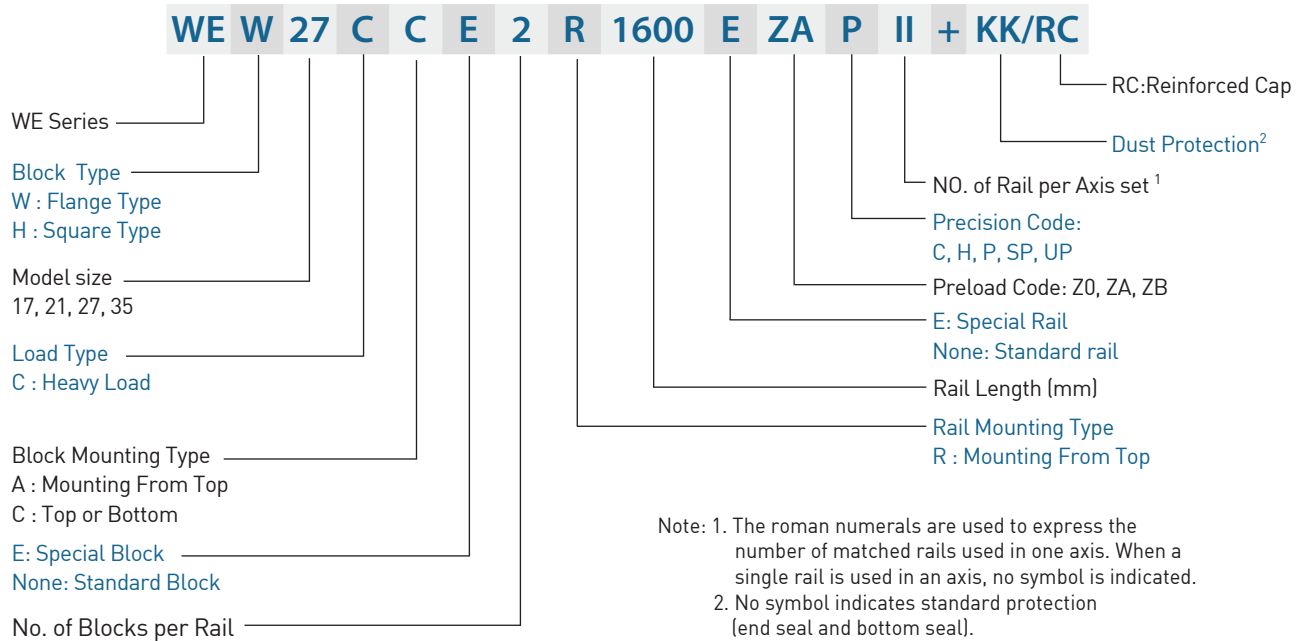
2-3-3 Model Number of WE Series

WE series linear guideways are classified into non-interchangeable and interchangeable types. The sizes of these two types are the same as one another. The main difference is that the interchangeable type of blocks and rails can be freely exchanged and they can maintain P-class accuracy. Because of strict dimensional control, the interchangeable type linear guideways are a wise choice for customers when rails do not need to be matched for an axis. The model number of the WE series identifies the size, type, accuracy class, preload class, etc.

Linear Guideways

WE Series

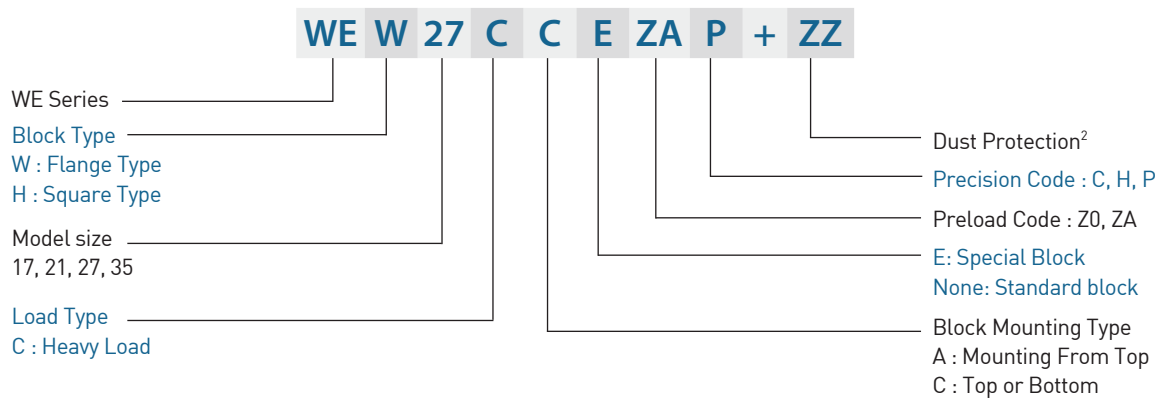
(1) Non-interchangeable type



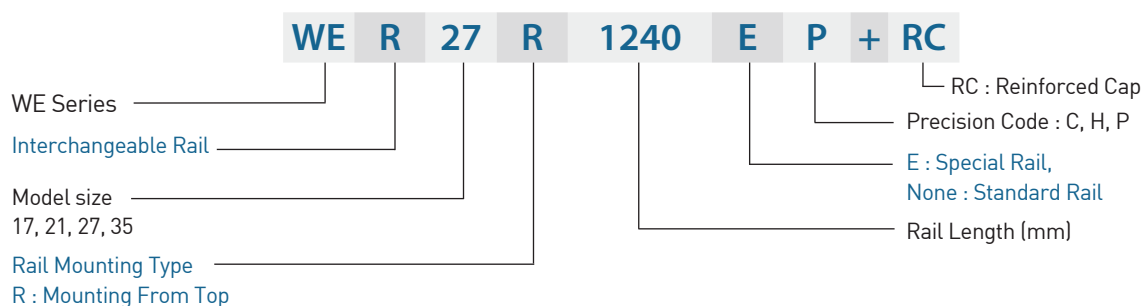
- Note: 1. The roman numerals are used to express the number of matched rails used in one axis. When a single rail is used in an axis, no symbol is indicated.
2. No symbol indicates standard protection (end seal and bottom seal).
 ZZ : End seal, bottom seal and scraper
 KK: Double seals, bottom seal and scraper.
 DD: Double seals and bottom seal

(2) Interchangeable type

○ Model Number of WE Block



○ Model Number of WE Rail

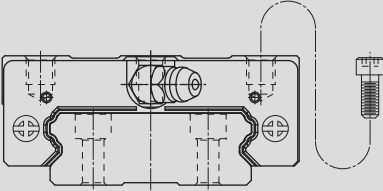
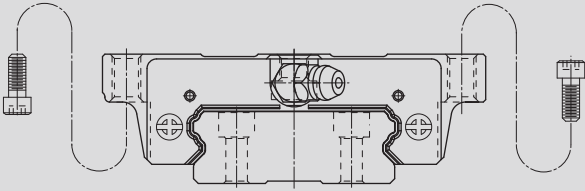


2-3-4 Types

(1) Block types

HIWIN offers two types of linear guideways, flange and square types.

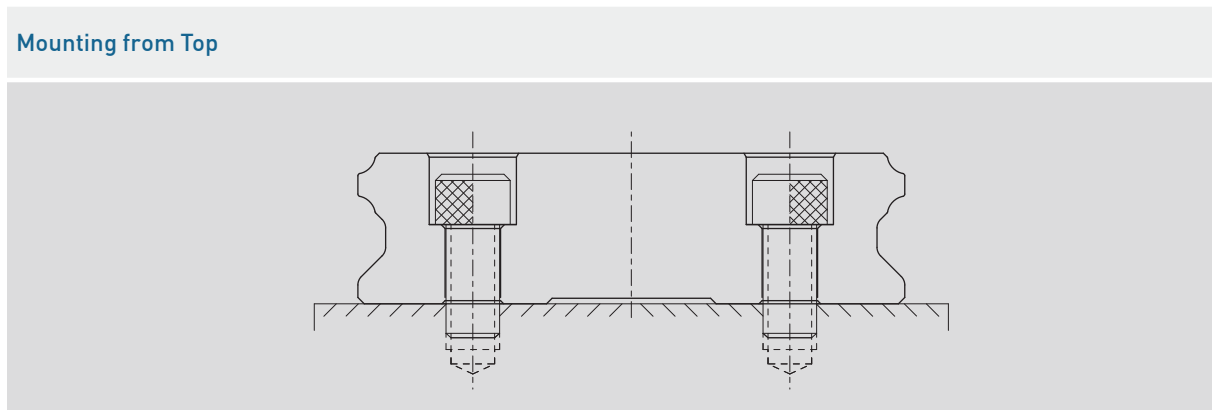
Table 2-3-1 Block Types

Type	Model	Shape	Height (mm)	Rail Length (mm)	Main Applications
Square	WEH-CA		17	100	<ul style="list-style-type: none"> ○ Automation devices ○ High-speed transportation equipment ○ Precision measuring equipment ○ Semiconductor manufacturing equipment ○ Blow Moulding machines ○ Single Axis Robot-Robotics ○ Single Axis Equipment with High Anti-rolling Requirement
			↓	↓	
35	4000				
↓	↓				
Flange	WEW-CC		17	100	
			↓	↓	
35	4000				
↓	↓				

(2) Rail types

HIWIN offers standard top mounting type.

Table 2-3-2 Rail Types

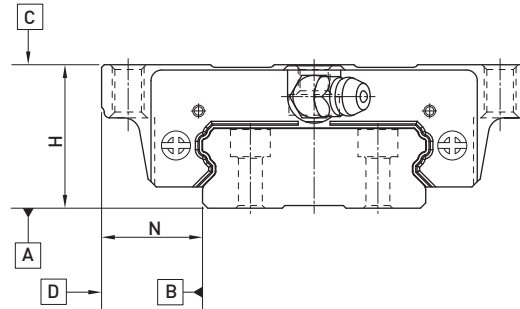


Linear Guideways

WE Series

2-3-5 Accuracy

The accuracy of the WE series can be classified into 5 classes: normal(C), high(H), precision(P), super precision(SP), and ultra precision(UP). Choose the class by referencing the accuracy of selected equipment.



(1) Accuracy of non-interchangeable guideways

Table 2-3-3 Accuracy Standards

Unit: mm

Type	WE - 17, 21					WE - 27, 35				
	Normal (C)	High (H)	Precision (P)	Super Precision (SP)	Ultra Precision (UP)	Normal (C)	High (H)	Precision (P)	Super Precision (SP)	Ultra Precision (UP)
Dimensional tolerance of height H	±0.1	±0.03	0 -0.03	0 -0.015	0 -0.008	±0.1	±0.04	0 -0.04	0 -0.02	0 -0.01
Dimensional tolerance of width N	±0.1	±0.03	0 -0.03	0 -0.015	0 -0.008	±0.1	±0.04	0 -0.04	0 -0.02	0 -0.01
Variation of height H	0.02	0.01	0.006	0.004	0.003	0.02	0.015	0.007	0.005	0.003
Variation of width N	0.02	0.01	0.006	0.004	0.003	0.03	0.015	0.007	0.005	0.003
Running parallelism of block surface C to surface A	See Table 2-3-5									
Running parallelism of block surface D to surface B	See Table 2-3-5									

(2) Accuracy of interchangeable guideways

Table 2-3-4 Accuracy Standards

Unit: mm

Item	WE - 17, 21			WE - 27, 35		
	Normal (C)	High (H)	Precision (P)	Normal (C)	High (H)	Precision (P)
Dimensional tolerance of height H	±0.1	±0.03	±0.015	±0.1	±0.04	±0.02
Dimensional tolerance of width N	±0.1	±0.03	±0.015	±0.1	±0.04	±0.02
Variation of height H	0.02	0.01	0.006	0.02	0.015	0.007
Variation of width N	0.02	0.01	0.006	0.03	0.015	0.007
Running parallelism of block surface C to surface A	See Table 2-3-5					
Running parallelism of block surface D to surface B	See Table 2-3-5					

(3) Accuracy of running parallelism

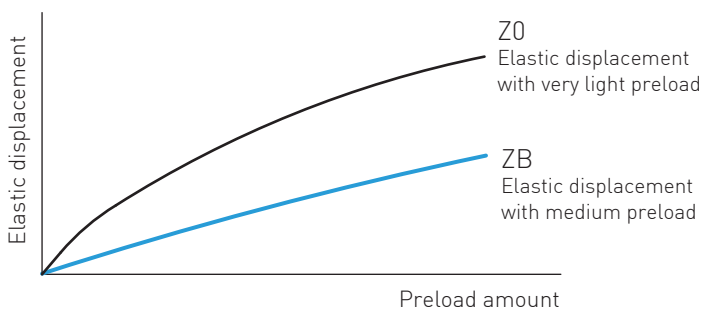
Table 2-3-5 Accuracy of Running Parallelism

Rail Length (mm)	Accuracy (μm)				
	C	H	P	SP	UP
~ 100	12	7	3	2	2
100 ~ 200	14	9	4	2	2
200 ~ 300	15	10	5	3	2
300 ~ 500	17	12	6	3	2
500 ~ 700	20	13	7	4	2
700 ~ 900	22	15	8	5	3
900 ~ 1,100	24	16	9	6	3
1,100 ~ 1,500	26	18	11	7	4
1,500 ~ 1,900	28	20	13	8	4
1,900 ~ 2,500	31	22	15	10	5
2,500 ~ 3,100	33	25	18	11	6
3,100 ~ 3,600	36	27	20	14	7
3,600 ~ 4,000	37	28	21	15	7

2-3-6 Preload

(1) Definition

A preload can be applied to each guideway. Generally, a linear motion guideway has a negative clearance between the groove and balls in order to improve stiffness and maintain high precision. The figure shows that adding a preload can improve stiffness of the linear guideway.



(2) Preload classes

HIWIN offers three standard preloads for various applications and conditions.

Table 2-3-6 Preload Classes

Class	Code	Preload	Condition
Very Light Preload	Z0	0~ 0.02C	Certain load direction, low impact, low precision requirement
Light Preload	ZA	0.03C~0.05C	low load and high precision requirement
Medium Preload	ZB	0.06C~ 0.08C	High rigidity requirement, with vibration and impact

Class	Interchangeable Guideway	Non-Interchangeable Guideway
Preload classes	Z0, ZA	Z0, ZA, ZB

Note: The "C" in the preload column denotes basic dynamic load rating.

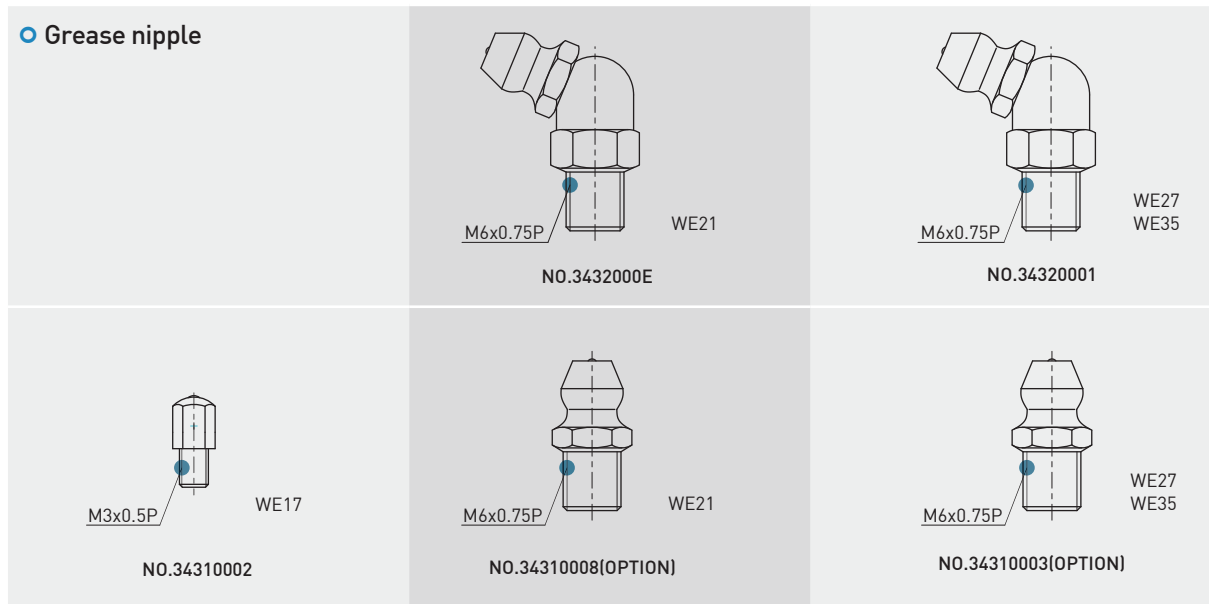
Linear Guideways

WE Series

2-3-7 Lubrication

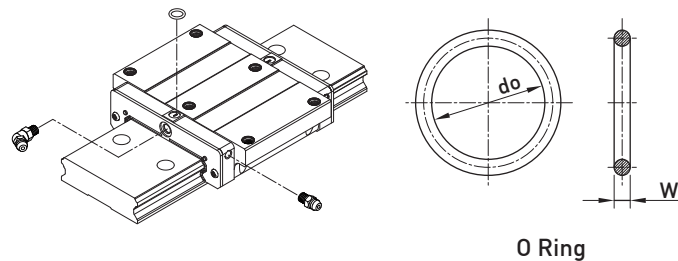
(1) Grease

○ Grease nipple



○ Mounting location

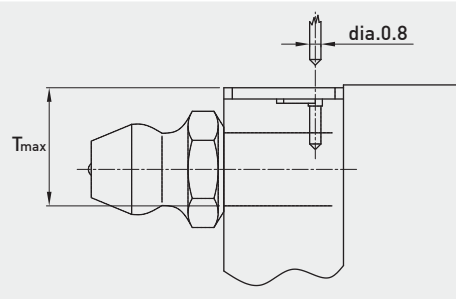
The standard location of the grease fitting is at both ends of the block, the nipple may be mounted in the side or top of the block. For lateral installation, we recommend that the nipple be mounted to the non-reference side, otherwise please contact us. When lubricating from above, in the recess for the O-ring, a smaller, preformed recess can be found. Preheat the 0.8 mm diameter metal tip. Carefully open the small recess with the metal tip and pierce through it. Insert a round sealing ring into the recess. (The round sealing ring is not supplied with the block) Do not open the small recess with a drill bit this may introduce the danger of contamination. It is possible to carry out the lubrication by using the oil-piping joint.



O Ring

Table 2-3-7 O-Ring size and max. permissible depth for piercing

Size	O-Ring		Lube hole at top: max. permissible depth for piercing T_{max}
	do	W	
	(mm)	(mm)	(mm)
WE21	4.5 ± 0.15	1.5 ± 0.15	6.8
WE27	4.5 ± 0.15	1.5 ± 0.15	8.4
WE35	4.5 ± 0.15	1.5 ± 0.15	10.2



○ The oil amount for a block filled with grease

Table 2-3-8 The oil amount for a block filled with grease

Size	Heavy Load (cm ³)	Size	Heavy Load (cm ³)
WE17	1.4	WE27	3.6
WE21	2.4	WE35	9.5

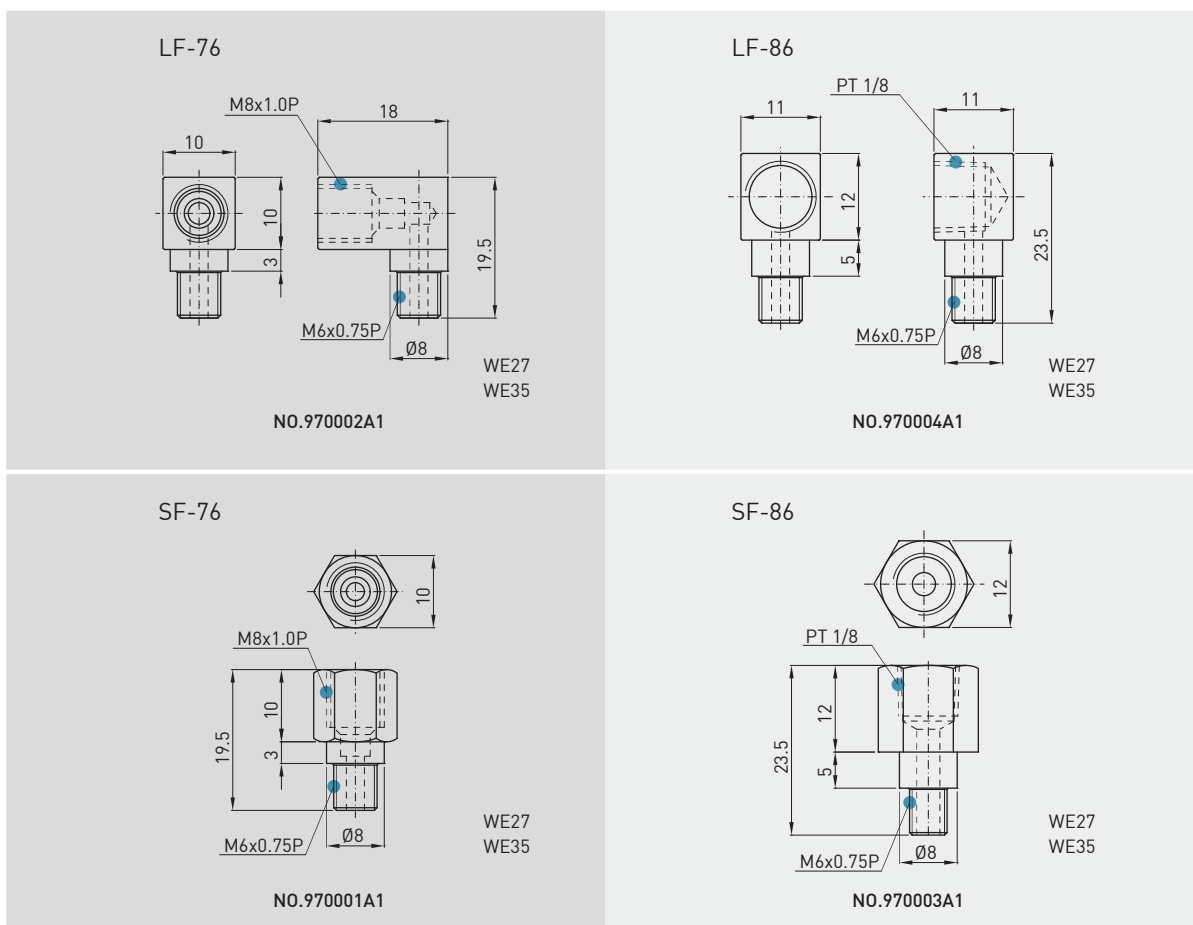
○ Frequency of replenishment

Check the grease every 100 km, or every 3-6 months.

(2) Oil

The recommended viscosity of oil is about 30~150cSt. If you need to use oil-type lubrication, please inform us.

○ Types of oil piping joint



○ Oil feeding rate

Table 2-3-9 oil feed rate

Size	feed rate (cm ³ /hr)	Size	feed rate (cm ³ /hr)
WE17	0.15	WE27	0.2
WE21	0.2	WE35	0.3

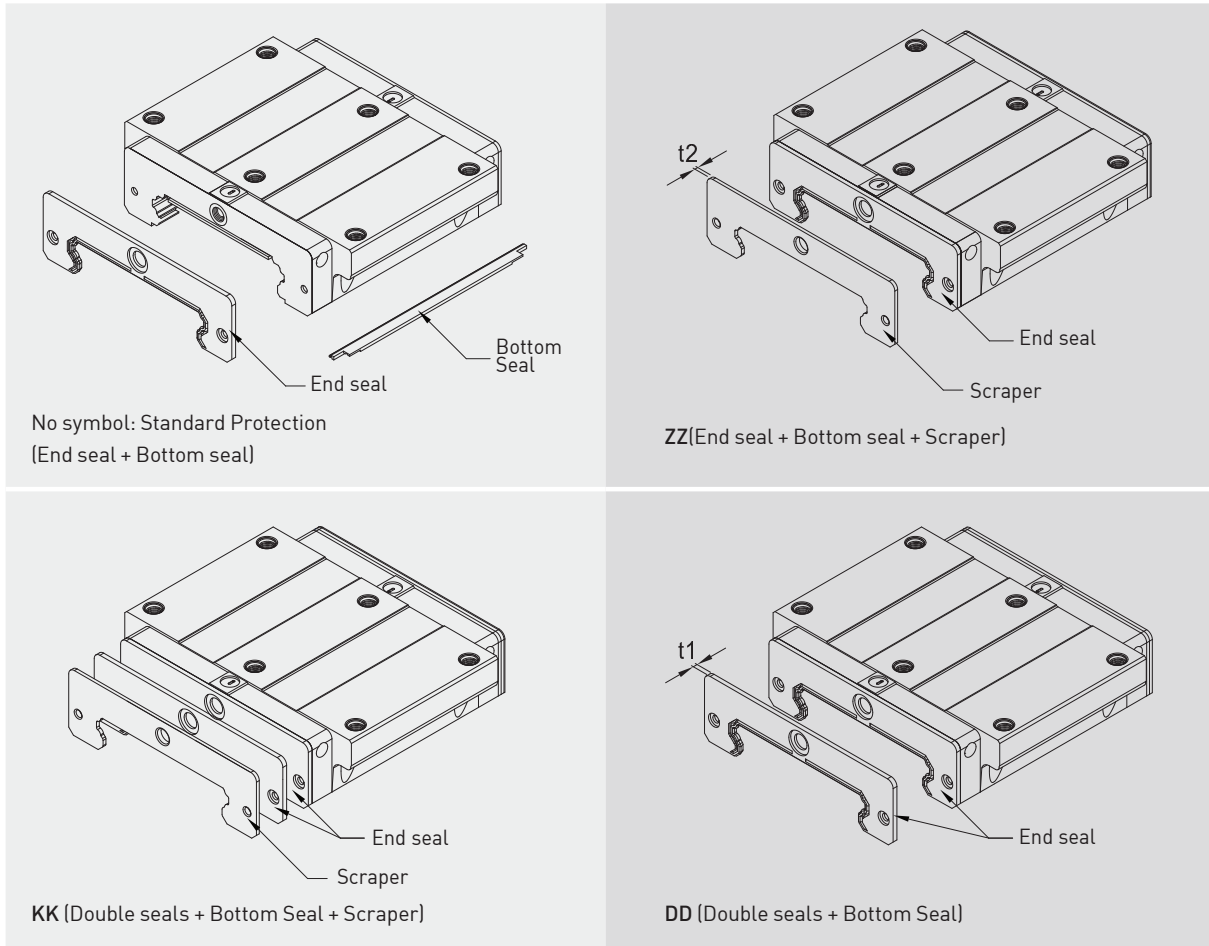
Linear Guideways

WE Series

2-3-8 Dust Protection Equipment

(1) Codes of equipment

If the following equipment is needed, please indicate the code followed by the model number.



(2) End seal and bottom seal

Protects against contaminants entering the block. Reduces potential for groove damage resulting in a reduction of life ratings.

(3) Double seals

Removes foreign matter from the rail preventing contaminants from entering the block.

Table 2-3-10 Dimensions of end seal

Size	Thickness (t1) (mm)	Size	Thickness (t1) (mm)
WE17	1.6	WE27	2
WE21	2	WE35	2

(4) Scraper

Clears larger contaminants, such as weld spatter and metal cuttings, from the rail. Metal scraper protects end seals from excessive damage.

Table 2-3-11 Dimensions of Scraper

Size	Thickness (t2) (mm)	Size	Thickness (t2) (mm)
WE17	1	WE27	1
WE21	1	WE35	1.5

(5) Bolt caps for rail mounting holes

Rail mounting hole caps prevent foreign matter from accumulating in the mounting holes. Caps are included with the rail package.

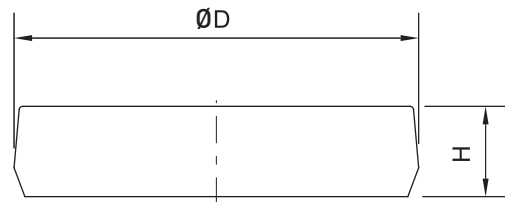


Table 2-3-12 Dimensions of Bolt Caps for Rail Mounting Holes

Rail size	Bolt size	Diameter(D) (mm)	Thickness(H) (mm)
WER17R	M4	7.65	1.1
WER21R	M4	7.65	1.1
WER27R	M4	7.65	1.1
WER35R	M6	11.20	2.5

(6) Dimensions of block equipped with the dustproof parts

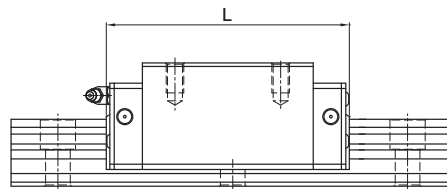


Table 2-3-13 Overall block length

unit: mm

Size	Overall block length (L)			
	Standard	ZZ	DD	KK
WE17C	50.6	52.6	53.8	55.8
WE21C	59	61	63	65
WE27C	72.8	74.8	76.8	78.8
WE35C	102.6	105.6	106.6	109.6

2-3-9 Friction

The maximum value of resistance per end seal are as shown in the table.

Table 2-3-14 Seal Resistance

Size	Resistance N (kgf)
WE17	1.18 (0.12)
WE21	1.96 (0.2)
WE27	2.94 (0.3)
WE35	3.92 (0.4)

Note: 1kgf=9.81N

Linear Guideways

WE Series

2-3-10 Mounting Surface Accuracy Tolerance

Because of the circular-arc contact design, the WE linear guideway can withstand surface-error installation and deliver smooth linear motion. When the mounting surface meets the accuracy requirements of the installation, the high accuracy and rigidity of the guideway will be obtained without any difficulty. For faster installation and smoother movement, HIWIN offers a preload with normal clearance because of its ability to absorb higher deviations in mounting surface inaccuracies.

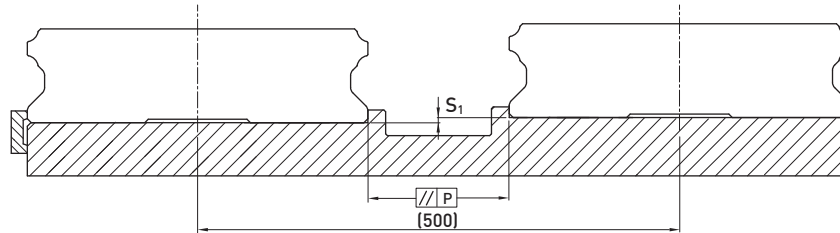


Table 2-3-15 Max. Parallelism Tolerance (P)

unit: μm

Size	Preload classes		
	Z0	ZA	ZB
WE17	20	15	9
WE21	25	18	9
WE27	25	20	13
WE35	30	22	20

Table 2-3-16 Max. Tolerance of Reference Surface Height (S_1)

unit: μm

Size	Preload classes		
	Z0	ZA	ZB
WE17	65	20	-
WE21	130	85	45
WE27	130	85	45
WE35	130	85	70

2-3-11 Cautions for Installation

(1) Shoulder heights and chamfers

Improper shoulder heights and chamfers of mounting surfaces will cause deviations in accuracy and rail or block interference with the chamfered part.

When recommended shoulder heights and chamfers are used, problems with installation accuracy should be eliminated.

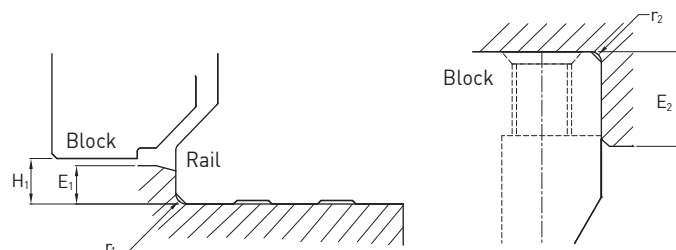


Table 2-3-17 Shoulder Heights and Chamfers

unit: mm

Size	Max. radius of fillets r_1 (mm)	Max. radius of fillets r_2 (mm)	Shoulder height of the rail E_1 (mm)	Shoulder height of the block E_2 (mm)	Clearance under block H_1 (mm)
WE17	0.4	0.4	2.0	4.0	2.5
WE21	0.4	0.4	2.5	5.0	3.0
WE27	0.5	0.4	3.0	7.0	4.0
WE35	0.5	0.5	3.5	10.0	4.0

(2) Tightening Torque of Bolts for Installation

Improperly tightened mounting bolts will seriously affect the accuracy of linear guide installations. The following tightening torques for different sizes of bolts are recommended.

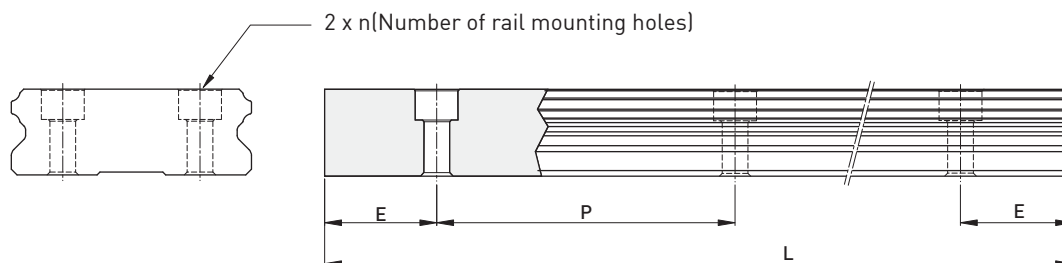
Table 2-3-18 Tightening Torque

Size	Bolt size	Torque N-cm(kgf-cm)		
		Iron	Casting	Aluminum
WE17	M4×0.7P×12L	392(40)	274(28)	206(21)
WE21	M4×0.7P×12L	392(40)	274(28)	206(21)
WE27	M4×0.7P×16L	392(40)	274(28)	206(21)
WE35	M6×1P×20L	1373(140)	921(94)	686(70)

Note: 1 kgf = 9.81 N

2-3-12 Standard and Maximum Lengths of Rail

HIWIN offers a number of standard rail lengths. Standard rail lengths feature end mounting hole placements set to predetermined values (E). For non-standard rail lengths, be sure to specify the E-value to be no greater than 1/2 the pitch (P) dimension. An E-value greater than this will result in unstable rail ends.



$$L = (n - 1) \times P + 2 \times E \quad \dots \dots \dots \text{Eq.2.3}$$

L : Total length of rail (mm)

n : Number of mounting holes

P : Distance between any two holes (mm)

E : Distance from the center of the last hole to the edge (mm)

Table 2-3-19 Rail Standard Length and Max. Length

unit: mm

Item	WER17	WER21	WER27	WER35
Standard Length L(n)	120 (3)	130 (3)	220 (4)	280 (4)
	200 (5)	230 (5)	280 (5)	440 (6)
	320 (8)	380 (8)	340 (6)	600 (8)
	400 (10)	480 (10)	460 (8)	760 (10)
	480 (12)	580 (12)	640 (11)	1000 (13)
	640 (16)	780 (16)	820 (14)	1,640 (21)
	-	-	1,000 (17)	2,040 (26)
	-	-	1,240 (21)	2,520 (32)
	-	-	1,600 (27)	3,000 (38)
Pitch (P)	40	50	60	80
Distance to End (E _s)	20	15	20	20
Max. Standard Length	4000 (100)	4000 (80)	4,000 (67)	3,960 (50)
Max. Length	4000	4,000	4,000	4,000

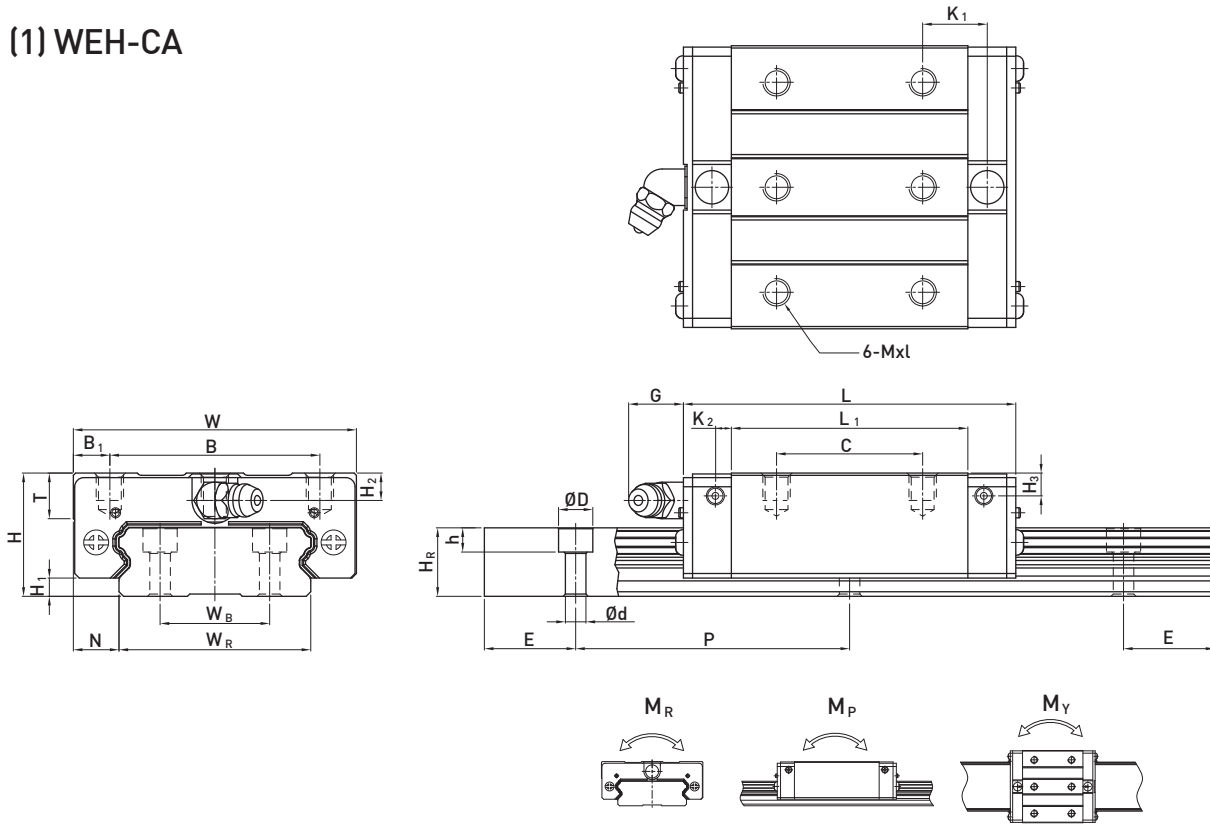
Note : 1. Tolerance of E value for standard rail is 0.5--0.5 mm. Tolerance of E value for jointed rail is 0--0.3 mm.
 2. Maximum standard length means the max. rail length with standard E value on both sides.
 3. If different E value is needed, please contact HIWIN.

Linear Guideways

WE Series

2-3-13 Dimensions for HIWIN WE Series

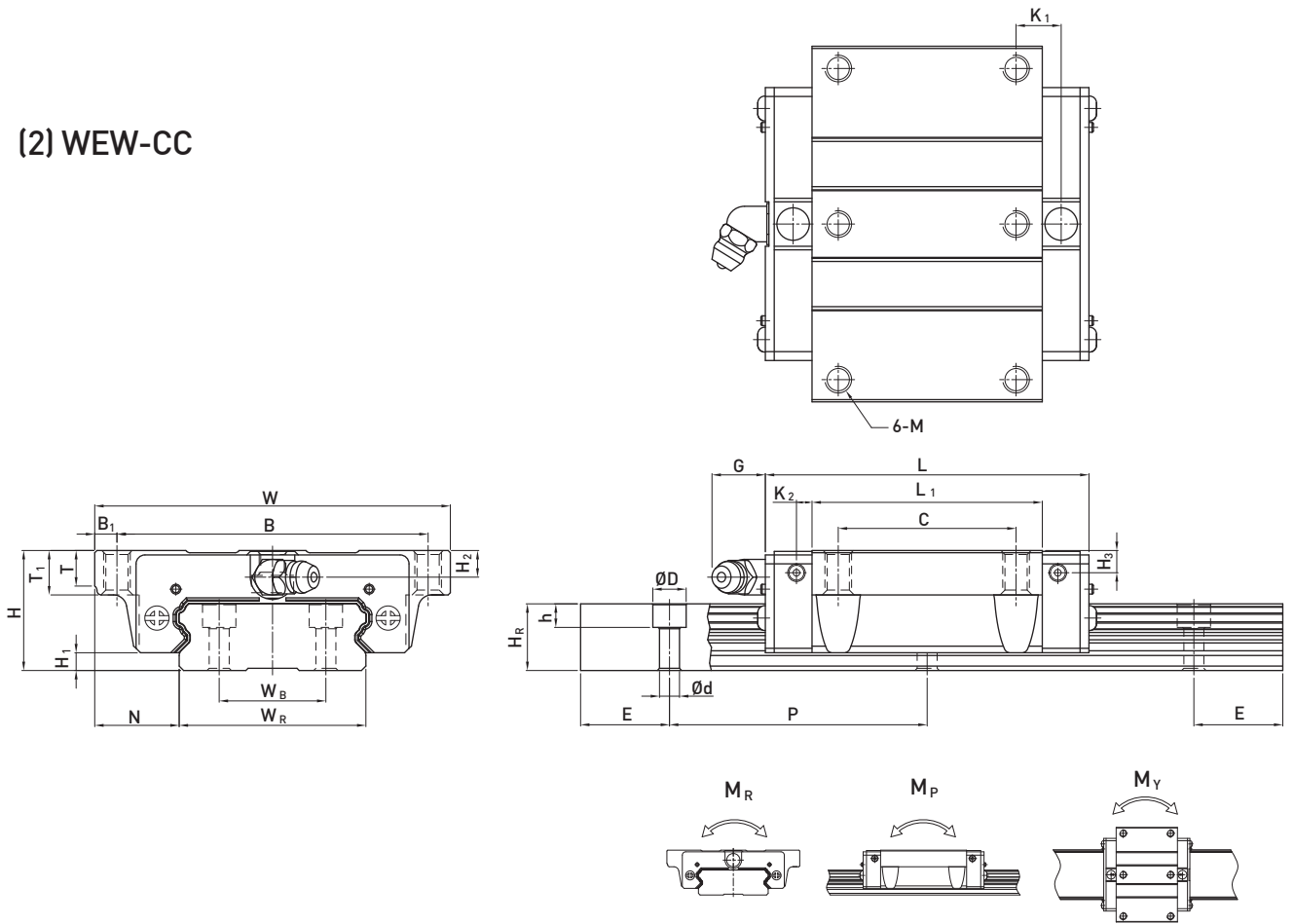
(1) WEH-CA



Model No.	Dimensions of Assembly (mm)			Dimensions of Block (mm)										Dimensions of Rail (mm)						Mounting Bolt for Rail (mm)	Basic Dynamic Load Rating C (kN)	Basic Static Load Rating C ₀ (kN)	Static Rated Moment			Weight						
	H	H ₁	N	W	B	B ₁	C	L ₁	L	K ₁	K ₂	G	Mxl	T	H ₂	H ₃	W _R	W _B	H _R				D	h	d	P	E	M _R	M _P	M _Y	Block	Rail
	mm	mm	mm	mm	mm	mm	mm	mm	mm	mm	mm	mm	mm	mm	mm	mm	mm	mm	mm				mm	mm	mm	mm	mm	mm	kN-m	kN-m	kN-m	kg
WEH17CA	17	2.5	8.5	50	29	10.5	15	35	50.6	-	3.1	4.9	M4x5	6	4	3	33	18	9.3	7.5	5.3	4.5	40	20	M4x12	5.23	9.64	0.15	0.062	0.062	0.12	2.2
WEH21CA	21	3	8.5	54	31	11.5	19	41.7	59	14.68	3.65	12	M5x6	8	4.5	4.2	37	22	11	7.5	5.3	4.5	50	25	M4x12	7.21	13.7	0.23	0.1	0.1	0.2	3
WEH27CA	27	4	10	62	46	8	32	51.8	72.8	14.15	3.5	12	M6x6	10	6	5	42	24	15	7.5	5.3	4.5	60	20	M4x16	12.4	21.6	0.42	0.17	0.17	0.35	4.7
WEH35CA	35	4	15.5	100	76	12	50	77.6	102.6	18.35	5.25	12	M8x8	13	8	6.5	69	40	19	11	9	7	80	20	M6x20	29.8	49.4	1.48	0.67	0.67	1.1	9.7

Note : 1 kgf = 9.81 N

(2) WEW-CC



Model No.	Dimensions of Assembly (mm)			Dimensions of Block (mm)														Dimensions of Rail (mm)						Mounting Bolt for Rail (mm)	Basic Dynamic Load Rating C (kN)	Basic Static Load Rating C ₀ (kN)	Static Rated Moment			Weight			
	H	H ₁	N	W	B	B ₁	C	L ₁	L	K ₁	K ₂	G	M	T	T ₁	H ₂	H ₃	W _R	W _B	H _R	D	h	d				P	E	M _R	M _P	M _Y	Block	Rail
	kgf	mm	mm	mm	mm	mm	mm	mm	mm	mm	mm	mm	mm	mm	mm	mm	mm	mm	mm	mm	mm	mm	mm				mm	mm	mm	kN-m	kN-m	kN-m	kg
WEW17CC	17	2.5	13.5	60	53	3.5	26	35	50.6	-	3.1	4.9	M4	5.3	6	4	3	33	18	9.3	7.5	5.3	4.5	40	20	M4x12	5.23	9.64	0.15	0.062	0.062	0.13	2.2
WEW21CC	21	3	15.5	68	60	4	29	41.7	59	9.68	3.65	12	M5	7.3	8	4.5	4.2	37	22	11	7.5	5.3	4.5	50	25	M4x12	7.21	13.7	0.23	0.1	0.1	0.23	3
WEW27CC	27	4	19	80	70	5	40	51.8	72.8	10.15	3.5	12	M6	8	10	6	5	42	24	15	7.5	5.3	4.5	60	20	M4x16	12.4	21.6	0.42	0.17	0.17	0.43	4.7
WEW35CC	35	4	25.5	120	107	6.5	60	77.6	102.6	13.35	5.25	12	M8	11.2	14	8	6.5	69	40	19	11	9	7	80	20	M6x20	29.8	49.4	1.48	0.67	0.67	1.26	9.7

Note : 1 kgf = 9.81 N