

# LM76

Linear Motion Bearings

1-800-513-3163

All Stainless Seal Slides are made for applications where FDA Compliance, Caustic Washdown and non-magnetic requirements are critical to the success of your application.

# 4



The 300 Series Stainless design is enhanced with Patent Pending Teflon® Seals and O-ring Sealed Shaft Caps.



Hand Crank & Lock Model

Servo Driven Model

Patent Pending Teflon® Seals

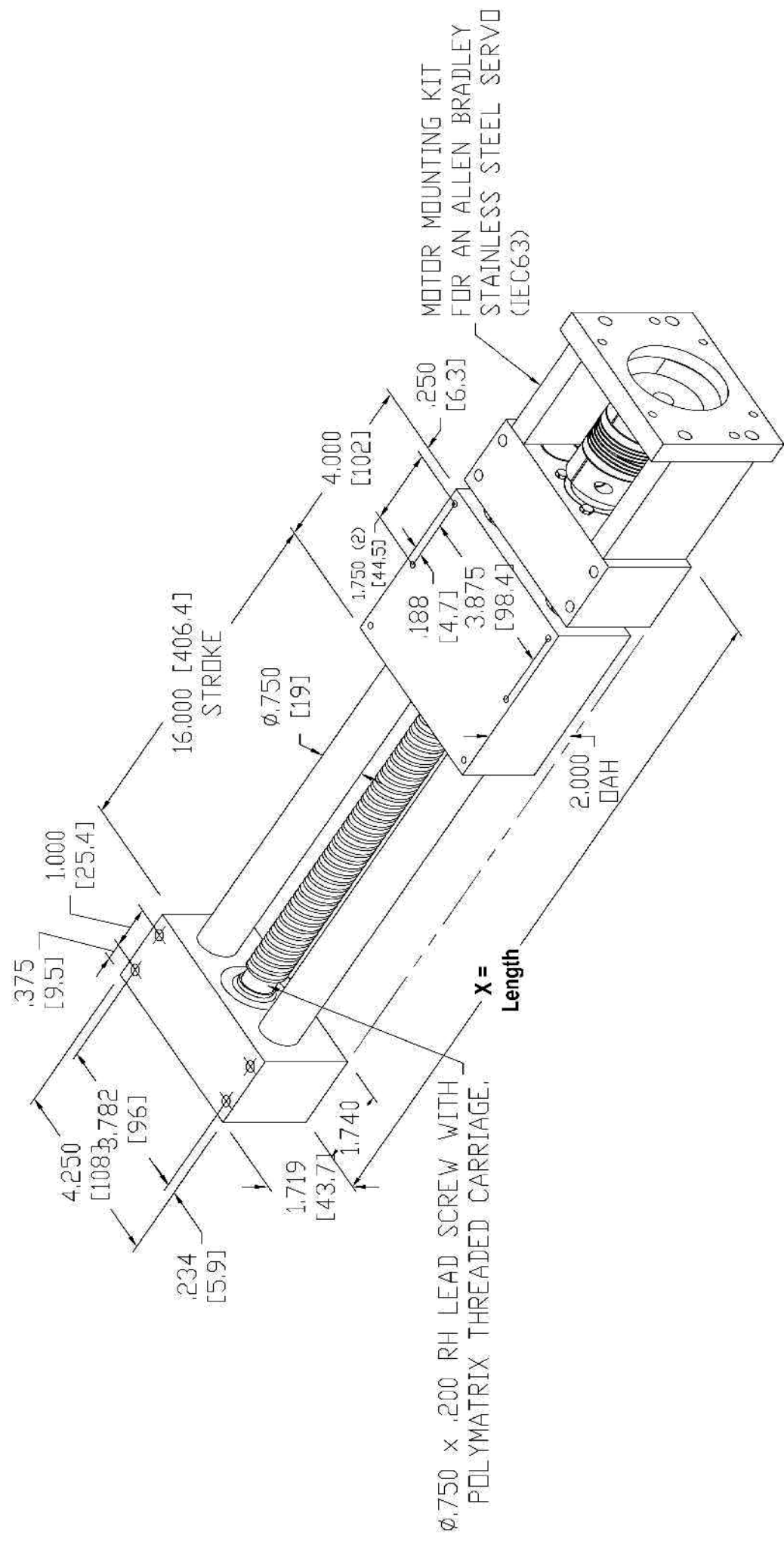
O-Ring Sealed Caps



For more information call: Mike Quinn or email: [mquinn@LM76.com](mailto:mquinn@LM76.com)

# www.LM76.com

PROPRIETARY RIGHTS NOTICE: THIS DRAWING IS THE PROPERTY OF LM76, BOSTON, MA, AND IS A PROPRIETARY ARTICLE TO WHICH LM76 RETAINS ALL RIGHTS, INCLUDING THE EXCLUSIVE RIGHT OF USE, MANUFACTURING, AND SALE OF ARTICLES(S) SHOWN. THE PROPRIETARY INFORMATION IN THIS DRAWING IS DISCLOSED IN CONFIDENCE AND IS FURNISHED UNDER THE EXPRESS CONDITION THAT IT IS NOT TO BE USED DIRECTLY OR INDIRECTLY IN ANY WAY DETRIMENTAL TO THE INTEREST OF LM76. POSSESSION OF THIS DRAWING DOES NOT CONVEY PERMISSION TO USE IT OR THE PROPRIETARY INFORMATION OR TO MANUFACTURE THE ARTICLE(S) SHOWN WITHOUT PRIOR WRITTEN PERMISSION FROM LM76.



ALL EXPOSED PARTS ARE 303 STAINLESS STEEL.  
 ALL FASTENERS, ETC ARE STAINLESS STEEL.

[0.0] = mm

COPYRIGHT NOTICE: THIS DRAWING IS PROTECTED BY US AND INTERNATIONAL COPYRIGHT LAWS, AND IS NOT TO BE COPIED OR REPRODUCED IN WHOLE OR IN PART, IN ANY FORM WITHOUT ADVANCE WRITTEN PERMISSION FROM LM76, EXCEPT THAT THIS DRAWING MAY BE REPRODUCED INCIDENT TO THE NORMAL BUSINESS ACTIVITIES FOR WHICH IT WAS FURNISHED BY LM76, PROVIDED THE ENTIRE DRAWING IS REPRODUCED WITHOUT MODIFICATION, INCLUDING THIS NOTICE AND ALL OTHER NOTICES IN THEIR ENTIRETY IN THE DRAWING AS FURNISHED BY LM76, REGARDLESS OF THE FORM OF SUCH REPRODUCTION. BY REPRODUCING THIS DRAWING, YOU AGREE TO LIMIT ITS USE IN ACCORDANCE HERWITH, AND WILL NOT VIOLATE LM76'S COPYRIGHTS, PROPRIETARY RIGHTS, AND OTHER RIGHTS THEREIN. ALL COPYING, REPRODUCTION AND USES OTHER THAN PROVIDED FOR IN THIS NOTICE ARE EXPRESSLY PROHIBITED WITHOUT THE ADVANCE WRITTEN CONSENT OF LM76.

DESCRIPTION		SHEET 1 OF 1	
"SEAL SLIDE" UNSUPPORTED STAINLESS STEEL SLIDE ASSEMBLY WITH AN IEC 63 MOTOR MOUNTING KIT		CUSTOMER: AUTOMATION ELECTRIC	
DRAWN BY EASY LINEAR	DATE DRAWN 4/12/07	SCALE 1:2	ASSEMBLY NO. or PROJECT NO. IEC63-XUV-12-024-AR0

LM TARBELL  
 140 INDUSTRIA DRIVE, EAST ONGMFAWCW, MA  
 PH: (800)513-3163 FAX:(413)525-3735  
 www.m76.com